

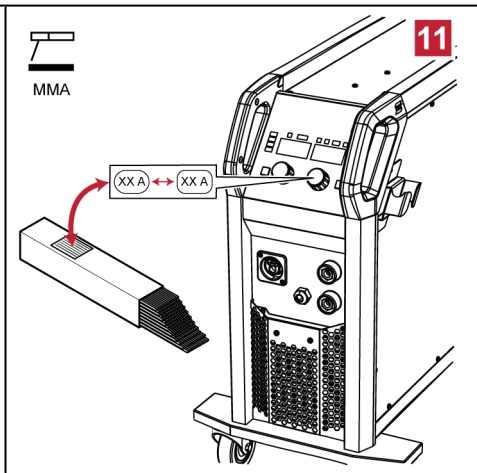
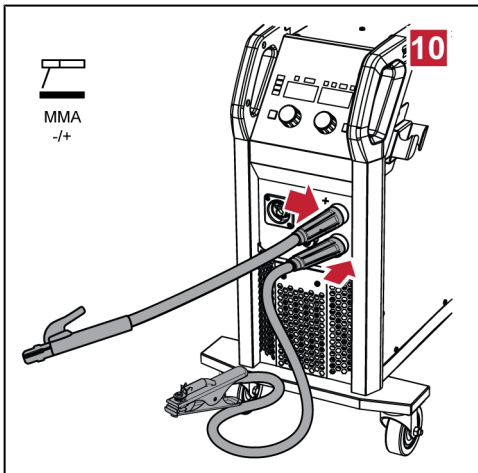
Rustler EM



<p>1</p> <p>MMA - MIG/MAG + FCAW -</p>	<p>2</p> <p>MIG/MAG</p>	<p>3</p> <p>MIG/MAG + FCAW -</p>
<p>4</p> <p>MIG/MAG FCAW</p>	<p>5</p> <p>EM 203C & EM253C 16A PLUG 3~, 400V, 50/60Hz</p> <p>EM 251C 32A PLUG 1~, 230V, 50/60Hz</p> <p>EM 201C 16A PLUG 1~, 230V, 50/60Hz</p>	<p>6</p>
<p>7</p> <p>MIG/MAG MMA</p>	<p>8</p> <p>MIG/MAG FCAW</p>	<p>9</p> <p>v φ</p> <p>MIG/MAG FCAW</p>

Quick Start Guide

0448 312 001 GB 20240312

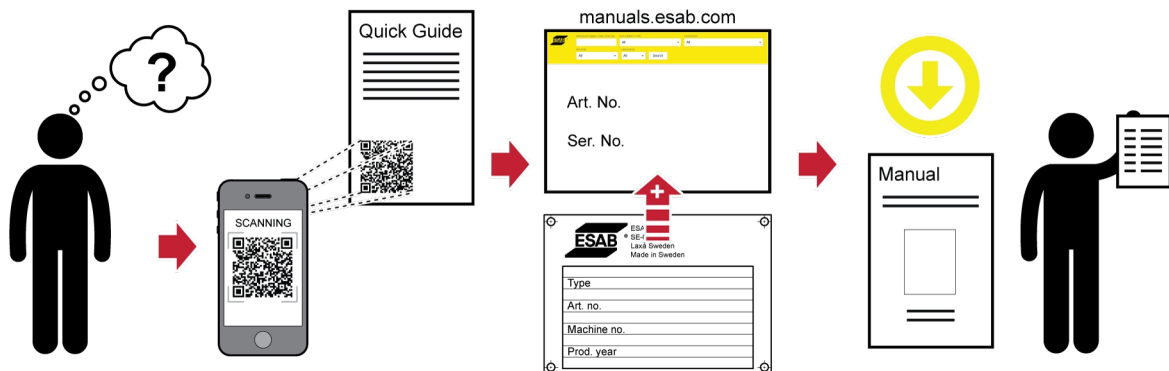


MIG/MAG		
B-B	Burnback	0.01-0.35
CRA	Crater fill time	0.0-9.9
PRG	Pre-flow	0.5-9.9
POG	Post-flow	0.5-9.9
RIN	Creep star	ON/OFF

MIG SPOT		
B-B	Burnback	0.01-0.35
S/T	Spot time	0.1-5.0
DWE	Rest time	OFF/0.1-5.0
POG	Post-flow	0.5-9.9

MMA		
HOT	Hot start	0-10
ARC	Arc force	0-10


WE CARE ABOUT THE ENVIRONMENT
FIND YOUR MANUAL ONLINE
manuals.esab.com

For contact information visit esab.com

ESAB AB, Lindholmsallén 9, Box 8004, 402 77 Gothenburg, Sweden, Phone +46 (0) 31 50 90 00

manuals.esab.com

